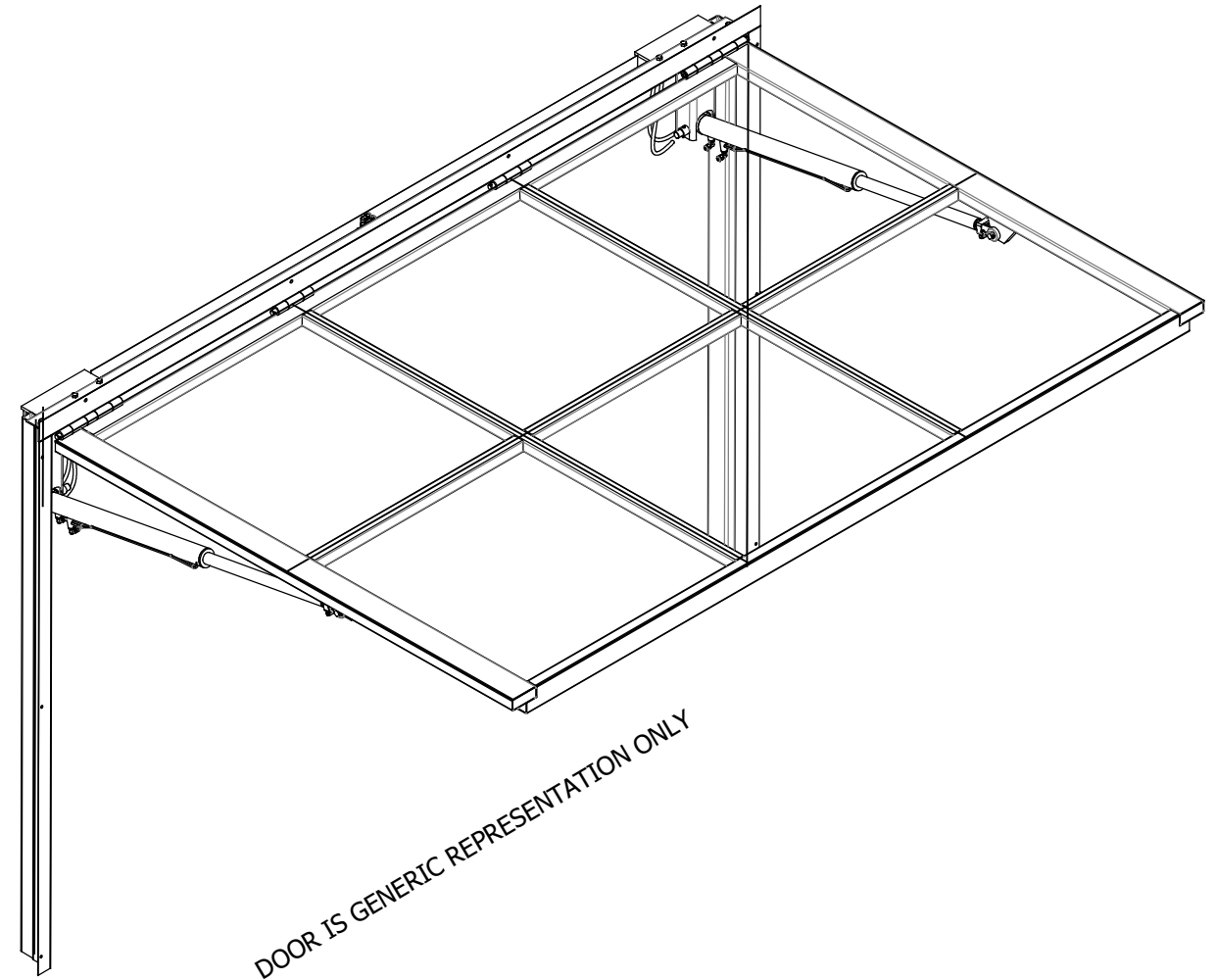


135 MCLEOD AVENUE, SOUTH  
 PLATO, MN 55370  
 (320) 238-2616  
 INFO@CROWNDORS.COM

# SINGLE-SWING HYDRAULIC SYSTEM



DOOR IS GENERIC REPRESENTATION ONLY

**PRELIMINARY SAMPLE  
 DRAWING  
 NOT FOR CONSTRUCTION**

**PROPRIETARY AND CONFIDENTIAL**

THE INFORMATION CONTAINED WITHIN THIS DRAWING SET IS THE SOLE PROPERTY OF CROWN DOORS, LLC (CROWN). ANY REPRODUCTION - IN PART, OR AS A WHOLE - WITHOUT THE EXPRESSED, WRITTEN CONSENT OF CROWN DOORS, LLC IS PROHIBITED

**IMPORTANT NOTICE:**

ALL DIMENSIONS SHOWN ARE CRITICAL TO PROPER DOOR OPERATION. IF ANY CHANGES ARE MADE, CONTACT CROWN IMMEDIATELY. ANY CHANGES MAY INCUR ADDITIONAL CHARGES.

ALL PARTS NOT LISTED AS "BY OTHERS" TO BE PROVIDED BY CROWN.

**SAMPLE DRAWINGS**

- THE FOLLOWING DETAILS REPRESENT TYPICAL CONDITIONS. DETAILS/DIMENSIONS WILL VARY BETWEEN INSTALLATIONS.
- SAMPLE DRAWINGS DO NOT REPRESENT ALL AVAILABLE OPTIONS - REFER TO QUOTATION.

**GENERAL NOTES**

- STRUCTURAL SUPPORT (JAMBS/HEADER) BY G.C.
- INSTALLER TO CAULK AROUND MOUNTING ANGLES
- MAXIMUM ALLOWABLE RISE OF FINISHED FLOOR IS 3/8"
- CROWN RESERVES THE RIGHT TO CHANGE/IMPROVE PRODUCTS WITHOUT PRIOR NOTICE
- THE INFORMATION CONTAINED WITHIN THIS DRAWING SET IS THE SOLE PROPERTY OF CROWN. ANY REPRODUCTION - IN PART, OR AS A WHOLE - WITHOUT THE EXPRESSED, WRITTEN PERMISSION OF CROWN IS PROHIBITED
- CROWN WILL NOT BE HELD RESPONSIBLE FOR CODE VIOLATIONS

**LATERAL DRIFT AND VERTICAL DEFLECTION:**

TO MAINTAIN NORMAL OPERATION OF THE DOOR/WINDOW SYSTEM, MID-HEADER DOWNWARD DEFLECTION LIMIT AND LATERAL DRIFT LIMIT OF SURROUNDING STRUCTURE IS 3/8". MAXIMUM ALLOWABLE RISE OF FINISHED FLOOR BETWEEN JAMBS IS 3/8".

**STEEL MEMBERS:**

STEEL TUBE FRAME MEMBERS VARY IN SIZE, DEPENDING UPON ROUGH OPENING DIMENSIONS AND COVERING/CLADDING WEIGHT. LARGER OPENINGS AND HEAVIER COVERING OR CLADDING WILL REQUIRE LARGER STEEL COMPONENTS.

**TOLERANCE:** TOLERANCE FOR LOCATION OF VERTICAL AND HORIZONTAL STEEL TUBE MEMBERS IS 1/8"

**IMPORTANT NOTE:** DO NOT PRE-DRILL ROUGH OPENING

**PROPRIETARY AND CONFIDENTIAL**

THE INFORMATION CONTAINED WITHIN THIS DRAWING SET IS THE SOLE PROPERTY OF CROWN DOORS, LLC (CROWN). ANY REPRODUCTION - IN PART, OR AS A WHOLE - WITHOUT THE EXPRESSED, WRITTEN CONSENT OF CROWN DOORS, LLC IS PROHIBITED

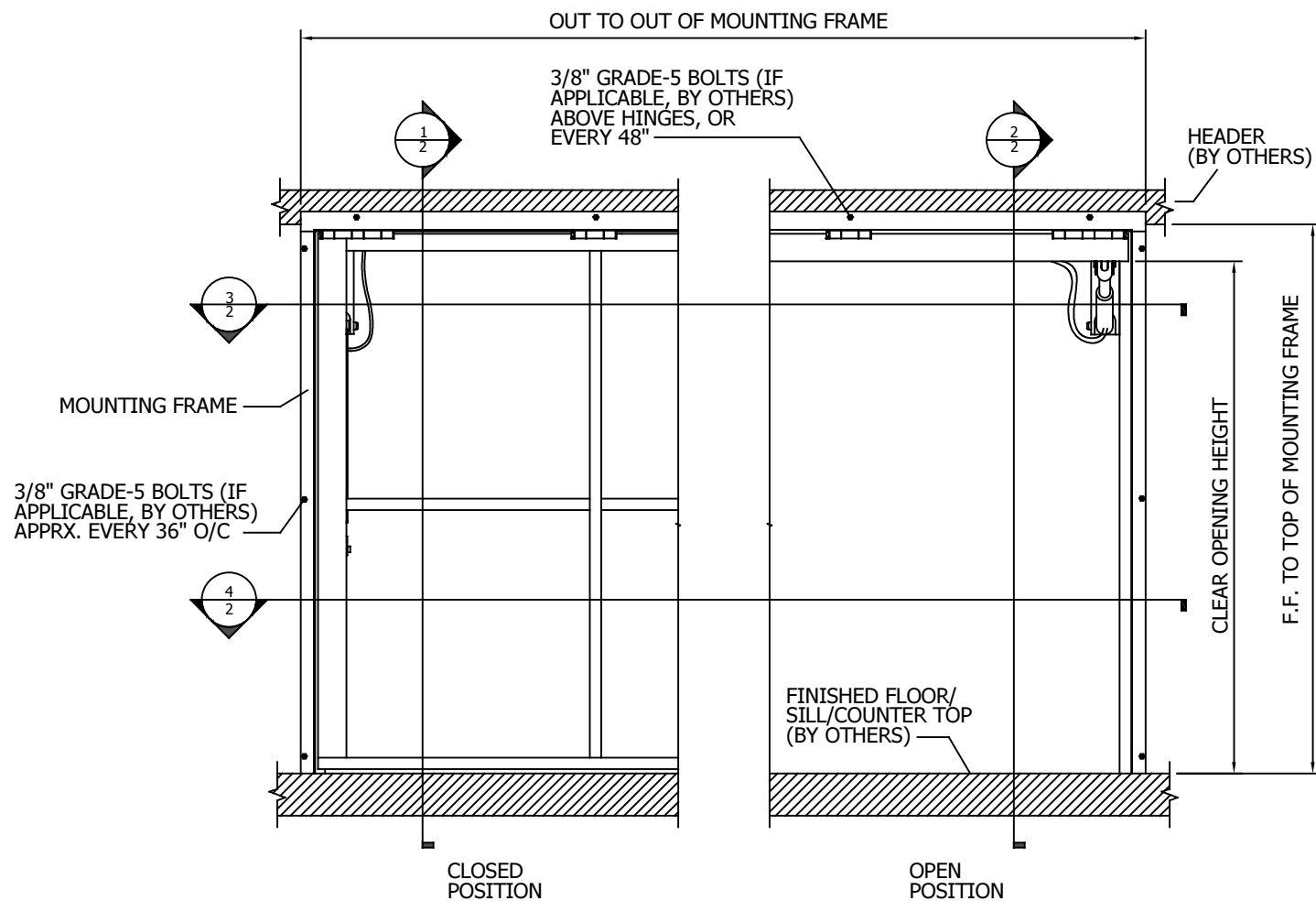
**IMPORTANT NOTICE:**

ALL DIMENSIONS SHOWN ARE CRITICAL TO PROPER DOOR OPERATION. IF ANY CHANGES ARE MADE, CONTACT CROWN IMMEDIATELY. ANY CHANGES MAY INCUR ADDITIONAL CHARGES.

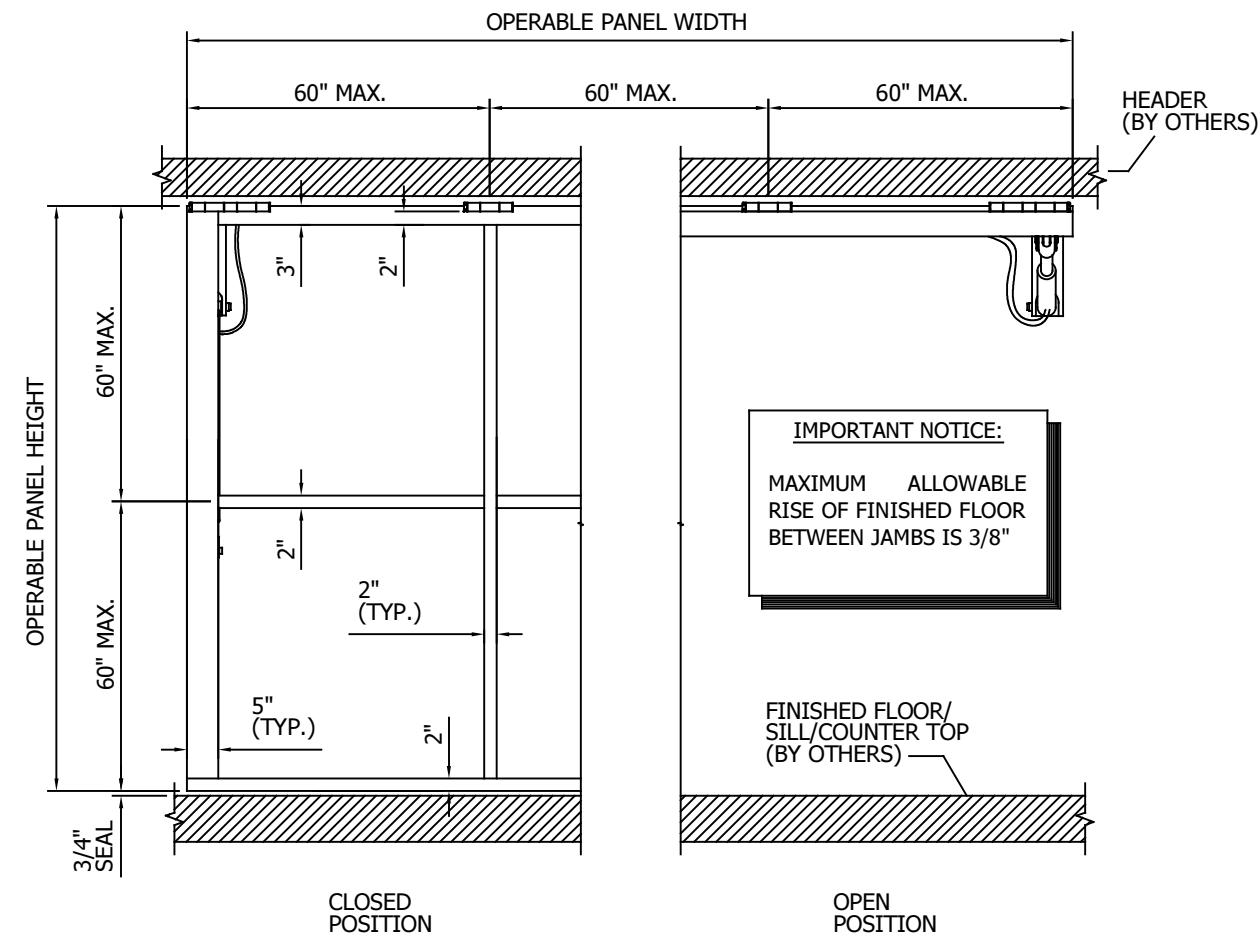
ALL PARTS NOT LISTED AS "BY OTHERS" TO BE PROVIDED BY CROWN.



**SAMPLE DRAWING**



**1** DOOR PANEL w/FRAME - EXTERIOR VIEW  
NO SCALE



**2** DOOR PANEL - EXTERIOR VIEW  
NO SCALE

**SINGLE-SWING HYDRAULIC SYSTEM**  
**CROWN DOOR, LLC**  
PLATO, MINNESOTA, 55370

**IMPORTANT NOTICE:**  
MAXIMUM ALLOWABLE RISE OF FINISHED FLOOR BETWEEN JAMBS IS 3/8"

MODEL: SINGLE-SWING  
DRAWN: 6/2018

**LATERAL DRIFT AND VERTICAL DEFLECTION:**

TO MAINTAIN NORMAL OPERATION OF THE DOOR/WINDOW SYSTEM, MID-HEADER DOWNWARD DEFLECTION LIMIT AND LATERAL DRIFT LIMIT OF SURROUNDING STRUCTURE IS 3/8". MAXIMUM ALLOWABLE RISE OF FINISHED FLOOR BETWEEN JAMBS IS 3/8".

**TOLERANCE:** TOLERANCE FOR LOCATION OF VERTICAL AND HORIZONTAL STEEL TUBE MEMBERS IS 1/8"

**IMPORTANT NOTE:** DO NOT PRE-DRILL ROUGH OPENING

**NOTES:**

APPROX. SYSTEM WEIGHT W/CYLINDERS:	9 LBS. P.S.F.
COVERING SYSTEM WEIGHT:	VARIES
APPROX. TOTAL DOOR PANEL WEIGHT w/COVERING:	TBD
STD. ELECTRICAL REQUIREMENTS:	208-230v, 1-PH
MOTOR:	TBD
POWER UNIT:	TBD
STD. WIND LOAD:	90 MPH EXP. C
APPROX. DOOR OPEN SPEED:	TYP. 14-15' PER MIN.
CYLINDER:	TBD
STD. FINISH:	GRAY ZINC, POWDER-BASED, EPOXY PRIMER
OPTIONAL FINISH:	RAL POWDER FINISH COAT

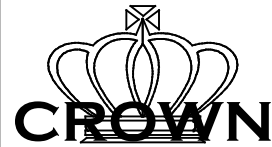
**PROPRIETARY AND CONFIDENTIAL**

THE INFORMATION CONTAINED WITHIN THIS DRAWING SET IS THE SOLE PROPERTY OF CROWN DOORS, LLC (CROWN). ANY REPRODUCTION - IN PART, OR AS A WHOLE - WITHOUT THE EXPRESSED, WRITTEN CONSENT OF CROWN DOORS, LLC IS PROHIBITED

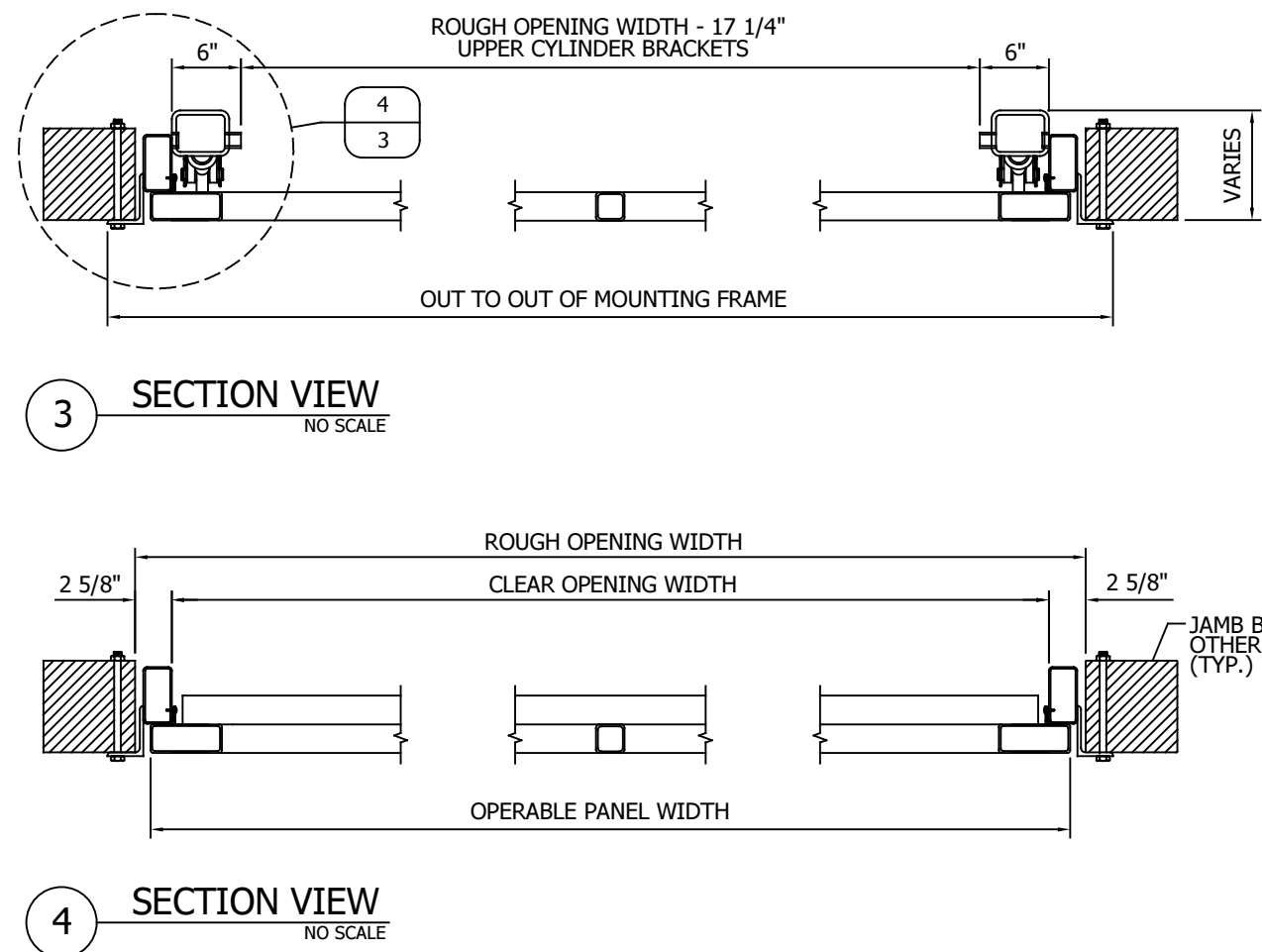
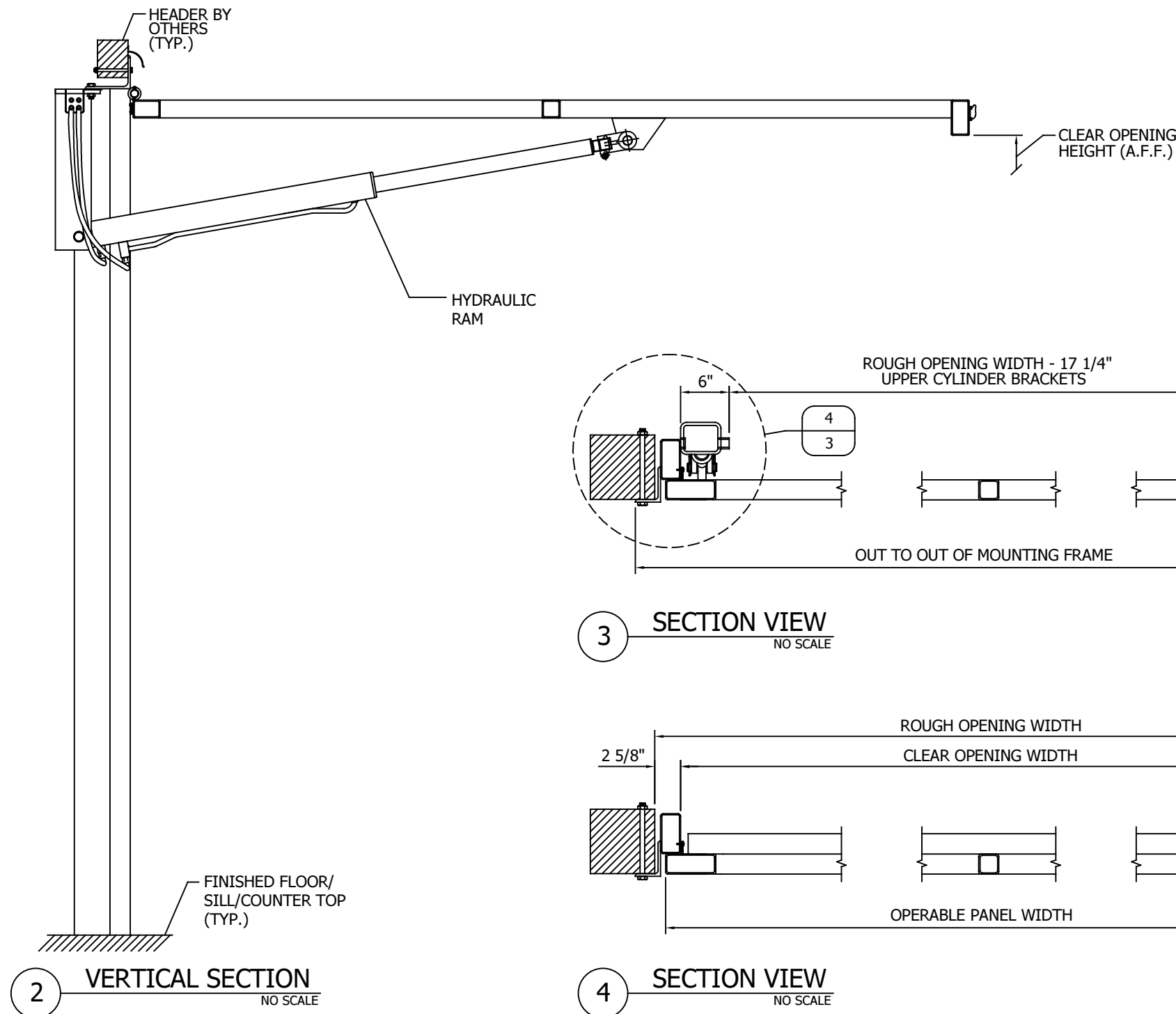
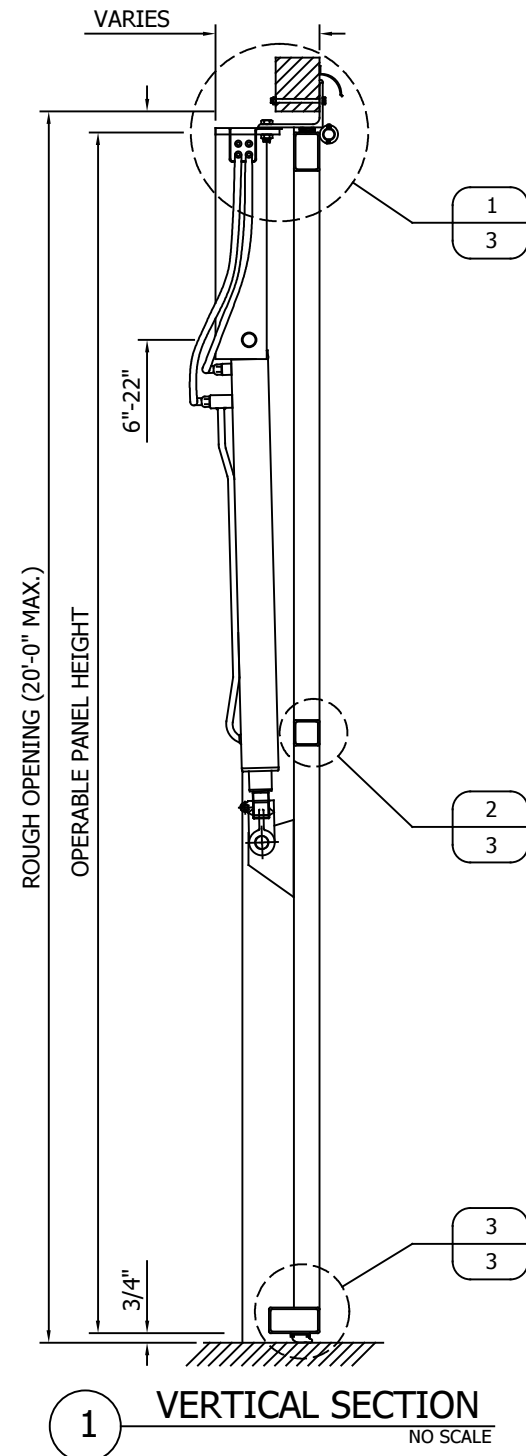
**IMPORTANT NOTICE:**

ALL DIMENSIONS SHOWN ARE CRITICAL TO PROPER DOOR OPERATION. IF ANY CHANGES ARE MADE, CONTACT CROWN IMMEDIATELY. ANY CHANGES MAY INCUR ADDITIONAL CHARGES.

ALL PARTS NOT LISTED AS "BY OTHERS" TO BE PROVIDED BY CROWN.



**SAMPLE DRAWING**



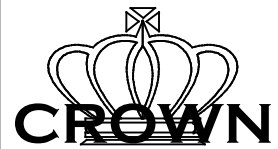
**SINGLE-SWING HYDRAULIC SYSTEM**  
**CROWN DOOR, LLC**  
PLATO, MINNESOTA, 55370

MODEL: SINGLE-SWING  
DRAWN: 6/2018

SHEET: **2.0**

**PROPRIETARY AND CONFIDENTIAL**

THE INFORMATION CONTAINED WITHIN THIS DRAWING SET IS THE SOLE PROPERTY OF CROWN DOORS, LLC (CROWN). ANY REPRODUCTION - IN PART, OR AS A WHOLE - WITHOUT THE EXPRESSED, WRITTEN CONSENT OF CROWN DOORS, LLC IS PROHIBITED

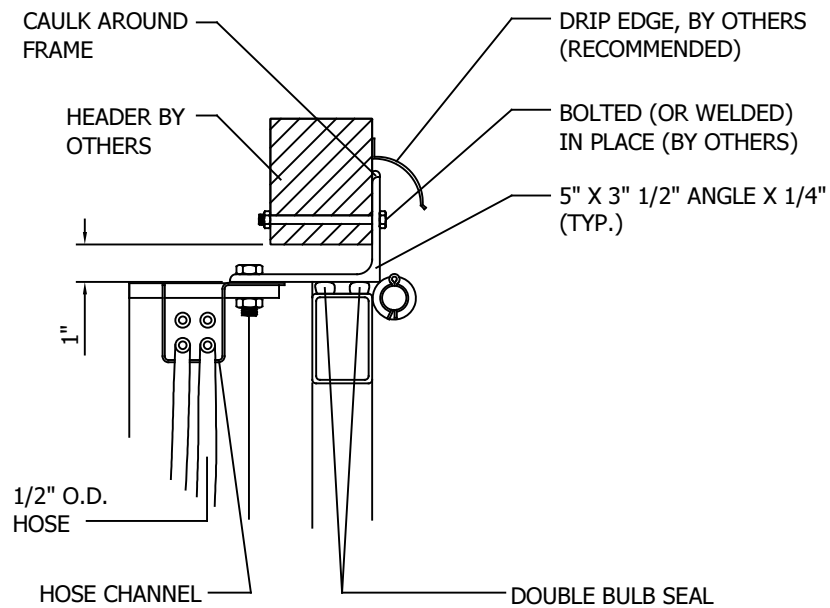


**IMPORTANT NOTICE:**

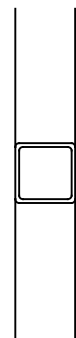
ALL DIMENSIONS SHOWN ARE CRITICAL TO PROPER DOOR OPERATION. IF ANY CHANGES ARE MADE, CONTACT CROWN IMMEDIATELY. ANY CHANGES MAY INCUR ADDITIONAL CHARGES.

ALL PARTS NOT LISTED AS "BY OTHERS" TO BE PROVIDED BY CROWN.

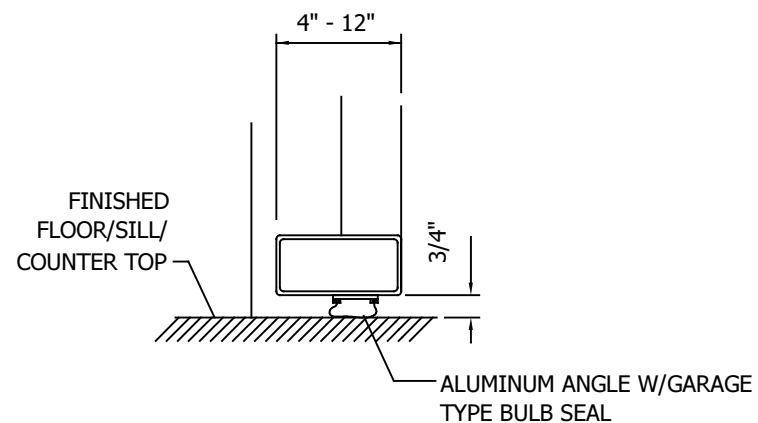
**SAMPLE DRAWING**



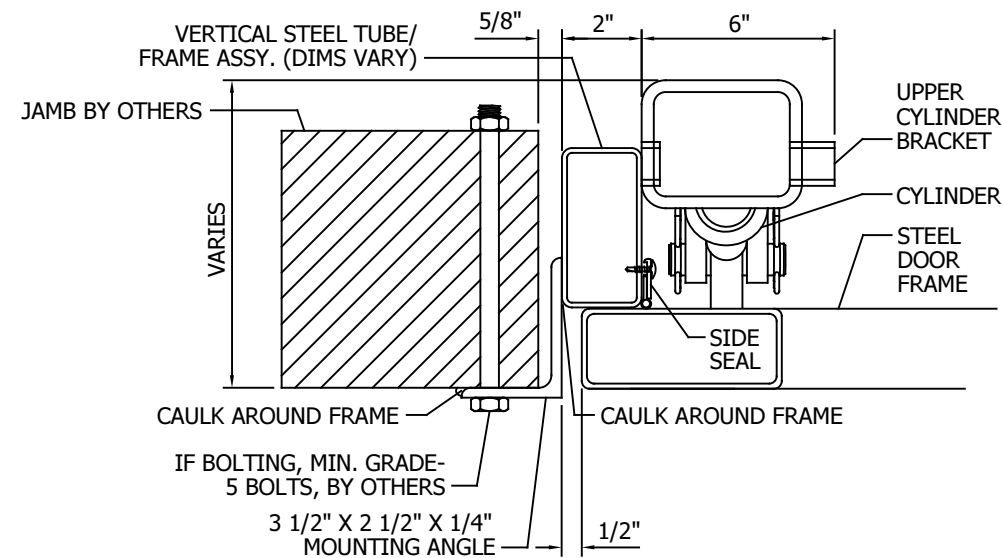
**1 SECTION VIEW @ HEAD**  
NO SCALE



**2 SECTION VIEW @ INT. HORIZONTAL**  
NO SCALE



**3 SECTION VIEW @ BASE**  
NO SCALE



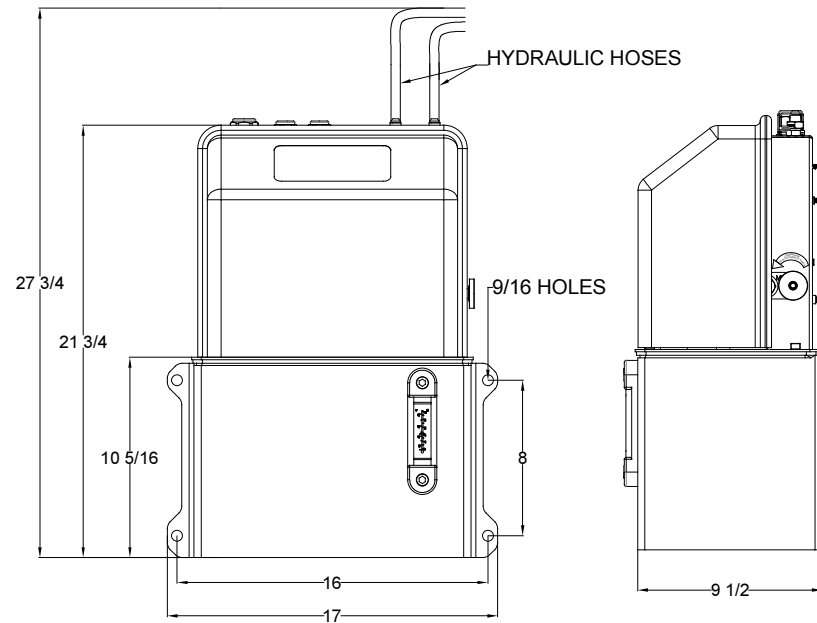
**4 SECTION VIEW @ JAMB**  
NO SCALE

**SINGLE-SWING HYDRAULIC SYSTEM**  
**CROWN DOOR, LLC**  
PLATO, MINNESOTA, 55370

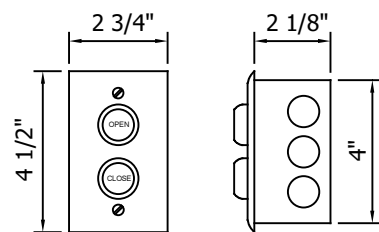
MODEL: SINGLE-SWING  
DRAWN: 6/2018

SHEET: **3.0**

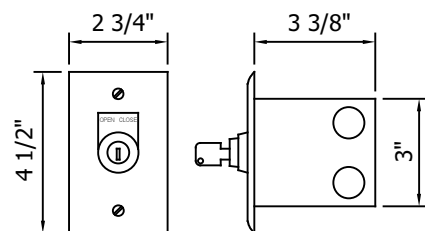
**MOTOR OPTIONS**  
 MOTOR UNIT IS FULLY ENCLOSED AND INCLUDES LOW-VOLTAGE CONTROL WIRING AND MANUAL LET-DOWN.



**1 MOTOR UNIT - ENCLOSED**  
 NO SCALE



FLUSH-MOUNT, CONSTANT-CONTACT 2BUTTON W/STAINLESS COVER (STANDARD)



FLUSH-MOUNT, CONSTANT-HOLD KEY SWITCH W/STAINLESS COVER (STANDARD)

**2 CONTROL OPTIONS**  
 NO SCALE

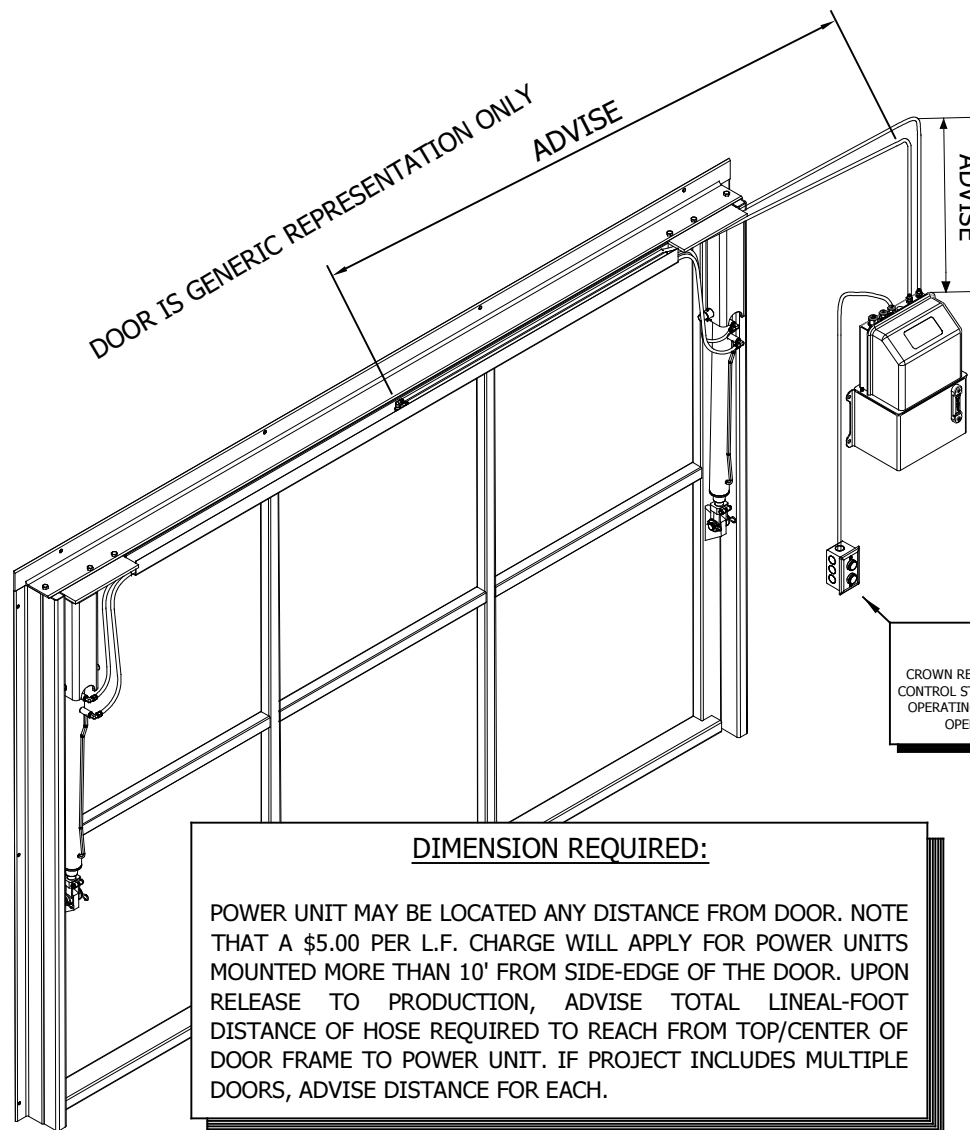
**PROPRIETARY AND CONFIDENTIAL**  
 THE INFORMATION CONTAINED WITHIN THIS DRAWING SET IS THE SOLE PROPERTY OF CROWN DOORS, LLC (CROWN). ANY REPRODUCTION - IN PART, OR AS A WHOLE - WITHOUT THE EXPRESSED, WRITTEN CONSENT OF CROWN DOORS, LLC IS PROHIBITED

**IMPORTANT NOTICE:**  
 ALL DIMENSIONS SHOWN ARE CRITICAL TO PROPER DOOR OPERATION. IF ANY CHANGES ARE MADE, CONTACT CROWN IMMEDIATELY. ANY CHANGES MAY INCUR ADDITIONAL CHARGES.

ALL PARTS NOT LISTED AS "BY OTHERS" TO BE PROVIDED BY CROWN.



**SAMPLE DRAWING**



**CONTROL STATION PLACEMENT**  
 CROWN RECOMMENDS A MAX OF 24" FROM ROUGH OPENING. CONTROL STATION NEEDS TO BE PLACED SO THAT ANY PERSON OPERATING DOOR/WINDOW CAN SEE ENTIRE PERIMETER OF OPENING WHILE DOOR/WINDOW IS OPERATING.

**DIMENSION REQUIRED:**  
 POWER UNIT MAY BE LOCATED ANY DISTANCE FROM DOOR. NOTE THAT A \$5.00 PER L.F. CHARGE WILL APPLY FOR POWER UNITS MOUNTED MORE THAN 10' FROM SIDE-EDGE OF THE DOOR. UPON RELEASE TO PRODUCTION, ADVISE TOTAL LINEAL-FOOT DISTANCE OF HOSE REQUIRED TO REACH FROM TOP/CENTER OF DOOR FRAME TO POWER UNIT. IF PROJECT INCLUDES MULTIPLE DOORS, ADVISE DISTANCE FOR EACH.

**3 ISOMETRIC - INTERIOR VIEW**  
 NO SCALE

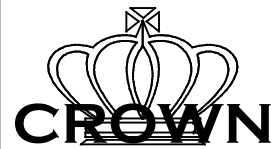
**SINGLE-SWING HYDRAULIC SYSTEM**  
**CROWN DOOR, LLC**  
 PLATO, MINNESOTA, 55370

MODEL: SINGLE-SWING  
 DRAWN: 6/2018

SHEET: **4.0**

**PROPRIETARY AND CONFIDENTIAL**

THE INFORMATION CONTAINED WITHIN THIS DRAWING SET IS THE SOLE PROPERTY OF CROWN DOORS, LLC (CROWN). ANY REPRODUCTION - IN PART, OR AS A WHOLE - WITHOUT THE EXPRESSED, WRITTEN CONSENT OF CROWN DOORS, LLC IS PROHIBITED

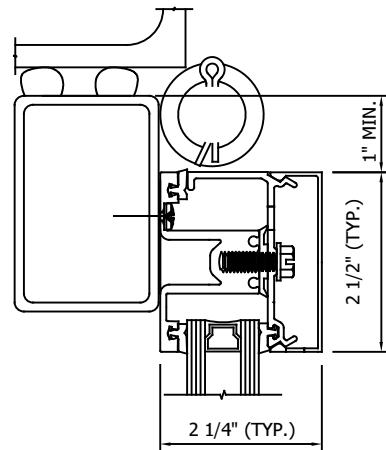


**IMPORTANT NOTICE:**

ALL DIMENSIONS SHOWN ARE CRITICAL TO PROPER DOOR OPERATION. IF ANY CHANGES ARE MADE, CONTACT CROWN IMMEDIATELY. ANY CHANGES MAY INCUR ADDITIONAL CHARGES.

ALL PARTS NOT LISTED AS "BY OTHERS" TO BE PROVIDED BY CROWN.

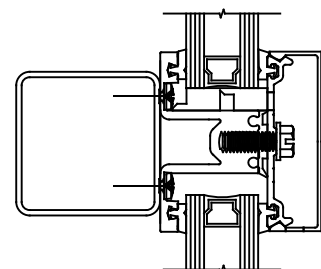
**SAMPLE DRAWING**



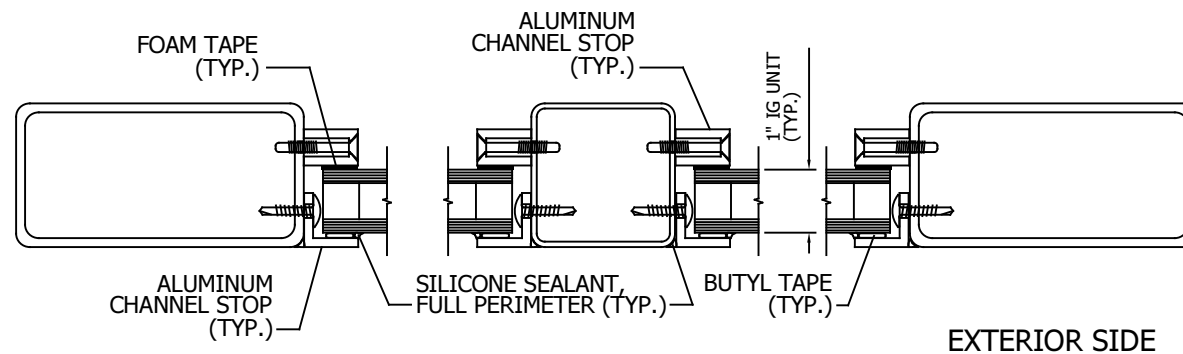
**1 FRONT-SET ASSEMBLY**  
NO SCALE

**IMPORTANT NOTE:**

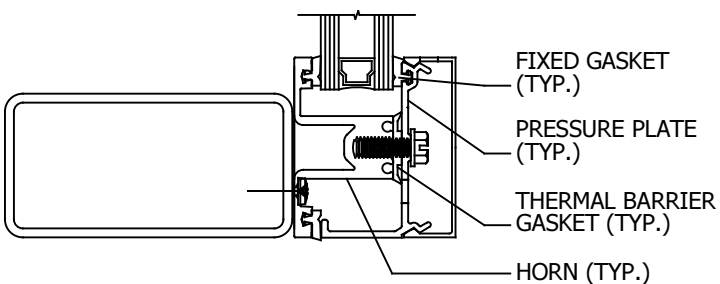
- ALL ALUMINUM RETAINER IS SHIPPED IN FULL-LENGTH PIECES, TO BE CUT TO SIZE AND/OR MITERED, IN FIELD
- DETAILS ARE FOR REPRESENTATION, ONLY, SHOWING CROWN STD. INSIDE-SASH AND FRONT-SET RETAINER SYSTEMS
- GLASS SHOWN IS MOST COMMON. OTHER GLASS TYPES/THICKNESSES ARE AVAILABLE



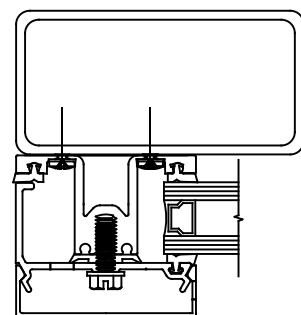
**2 FRONT-SET ASSEMBLY**  
NO SCALE



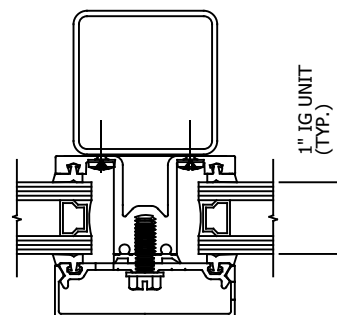
**4 INSIDE SASH ASSEMBLY**  
NO SCALE



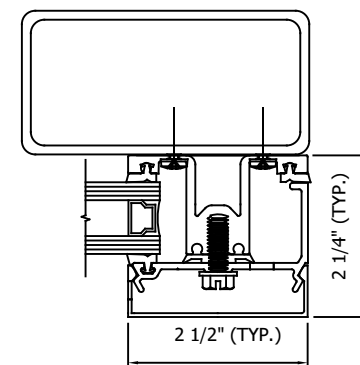
**3 FRONT-SET ASSEMBLY**  
NO SCALE



**5 FRONT-SET ASSEMBLY**  
NO SCALE



**6 FRONT-SET ASSEMBLY**  
NO SCALE



**7 FRONT-SET ASSEMBLY**  
NO SCALE

**SINGLE-SWING HYDRAULIC SYSTEM**  
**CROWN DOOR, LLC**  
PLATO, MINNESOTA, 55370

MODEL: SINGLE-SWING  
DRAWN: 6/2018